

AODPC Series

Multi-Purpose & Water-Proof Panel PC

IP-65, 15" Multi-purpose & Water-Proof Panel PC with Intel Low Power Consumption Celeron M Processor

Model: AODPC1500A2-CM6



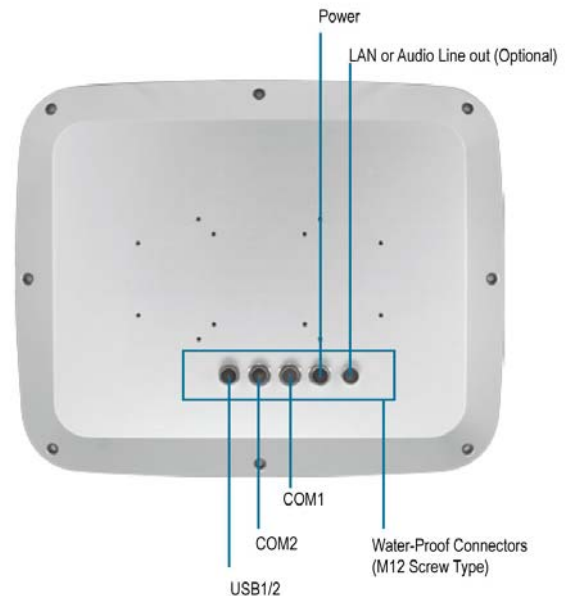
Features

- Onboard Intel® Low Power Celeron® M Processor
- 15" XVGA Color TFT LCD Display
- IP-65 Water-Proof Sealing Enclosure
- Sunlight-Viewable Display With Low Reflection Touch Screen
- Windows® 2000, XP Pro, XP Embedded Support
- Day And Night Mode Display
- Ideal For Vehicle Applications
- Supports Wireless LAN With Dual Internal Antennas (Optional)
- Water-Proof I/O Connector (IP-67 Rating)



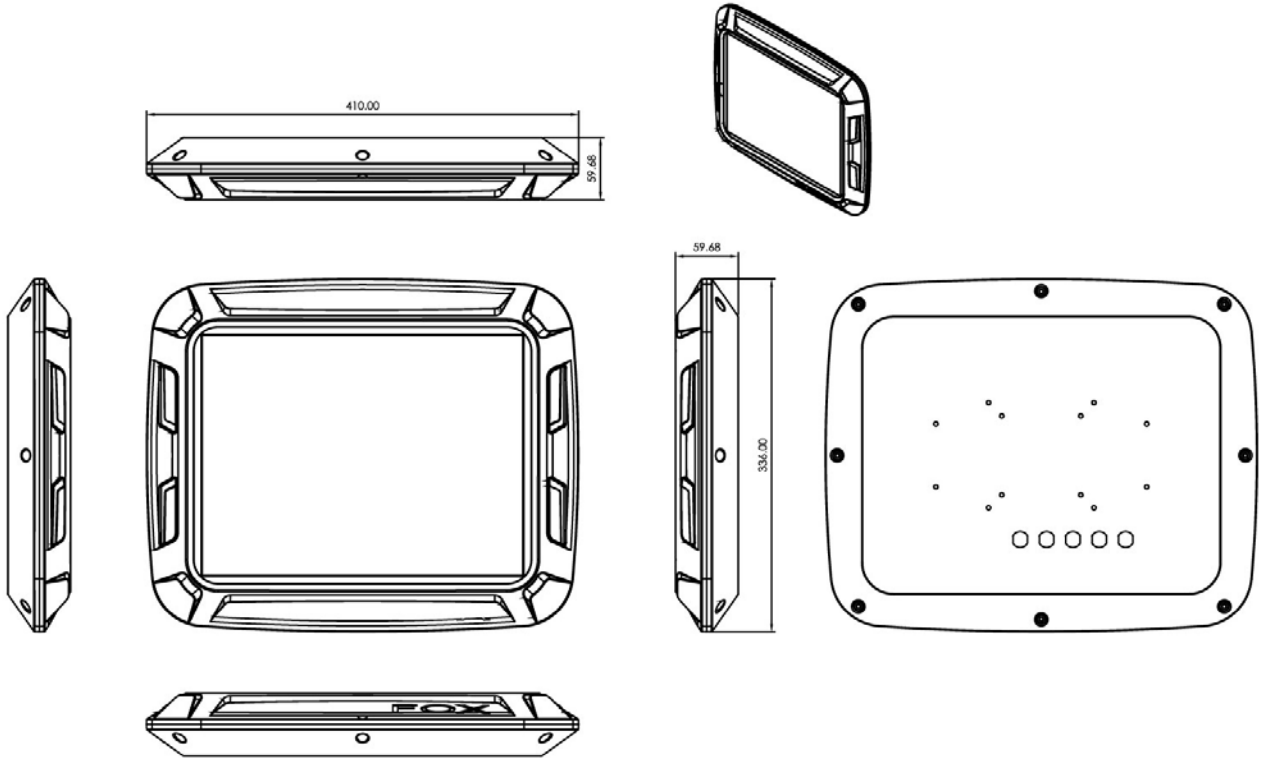
Specifications

| System | |
|-------------------------|--|
| Processor | Intel® Low Power Consumption Celeron® M 1.5 GHz/ 600 MHz |
| System Memory | DDR SODIMM x 1, Max. 1 GB |
| LCD/CRT Controller | Intel® 852GM + Chromtel 7009 |
| Ethernet | Intel® 82562, 10/100Base-TX, Water-proof RJ-45 x 1 (optional) |
| Water-Proof I/O Port | RS-232 x 1, RS-232/422/485 x 1, USB 2.0 x 2, Audio (Line-out) (optional) |
| Storage Disk | IDE 2.5" Hard Disk Drive Bay (Anti-vibration)/ CompactFlash™ (Internal) |
| OS Support | Windows® 2000, Windows® XP Pro for Embedded, Windows® XP Embedded |
| Mechanical | |
| Construction | Sealed Aluminum Alloy Chassis |
| Color | Silver Gray |
| Mounting | VESA 75/100mm |
| Dimension | 16.14" x 14.41" x 2.36" (410mm x 366mm x 60mm) |
| Gross Weight | 19.8 lb (9 kg) |
| Net Weight | 16.5 lb (7.5 kg) |
| Environmental | |
| Operating Temperature | -4°F ~ 122°F (-20°C ~ 50°C) |
| Storage Temperature | -22°F ~ 158°F (-30°C ~ 70°C) |
| Storage Humidity | 10 ~90%@35°C, non-condensing |
| Vibration | 3G Random Operation, 5~500Hz |
| Shock | 30G peak acceleration (11m sec. duration) / operation |
| Safety | All sides of IP-65 Certificated |
| EMC | CE/FCC Class A |
| Power Supply | |
| DC-DC Input, 90W | Input Range: 9V ~ 30V DC |
| LCD | |
| Display Type | 15" TFT- LCD |
| Max. Resolution | 1024 x 768 |
| Max. Color | 16.7M colors |
| Dot Size | 0.297 x 0.297 |
| Luminance (Typical) | 450 cd/m2 |
| View Angle | 160°(H)/160°(V) |
| Back Light MTBF (Hours) | 50,000 |



| Touchscreen | |
|--------------------|---|
| Type | 8-wire, Analog Resistive, Low Reflection (FOX-120STT) 5-wire, Analog Resistive (FOX-120HTT) |
| Resolution | 2048 x 2048 |
| Light Transmission | > 76% (8-wire analog resistive) > 80% (5-wire analog resistive) |
| Lifetime | 2 million activations (8-wire analog resistive) 35 million activations (5-wire analog resistive) |

Dimensions



Optional Accessories

- **9761F15000**
Wireless LAN kits with Internal Antenna
- **1757910004**
AC Adapter (100W)
- **9783204012**
2.5" 40 GB Automotive Hard Disk Drive
- **968C204859**
2 GB Wide Temperature CompactFlash™ Disk Drive
- **968C409654**
4 GB Wide Temperature CompactFlash™ Disk Drive
- **968C819215**
8 GB Wide Temperature CompactFlash™ Disk Drive
- **968C016G06**
16 GB Wide Temperature CompactFlash™ Disk Drive
- **1702031802**
Power Cord (US Type)
- **1702031803**
Power Cord (European Type)
- **170203180E**
Power Cord (Japanese Type)
- **STAND-FOXS0**
Desktop Stand